

SMOKE ALARM



LOW PROFILE DESIGN

Sleek, contemporary design blends into any décor.

PHOTOELECTRIC

Photoelectric technology is generally more sensitive at detecting large particles, which tend to be produced in greater amounts by smoldering fires.

SILENCE FEATURE

Silences nuisance alarms.

TAMPER RESISTANT

Locks alarm to mounting bracket to prevent removal of battery and/or alarm. Perfect for apartment, dormitory or hotel applications.

9V BATTERY INCLUDED

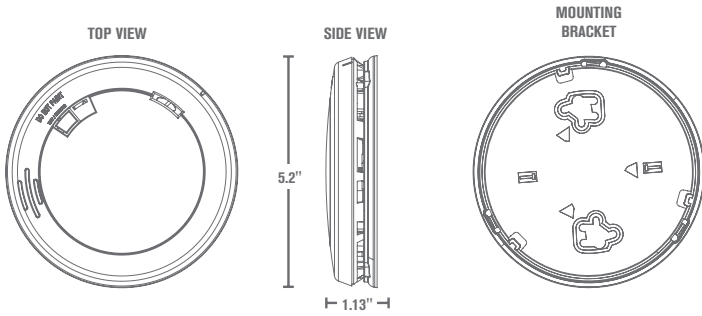
END OF LIFE SIGNAL

Provides audible notice when alarm needs to be replaced after 10 years.

First Alert Model PR700A (Cat. 1039769) is a single station smoke alarm specifically designed for residential and institutional applications including sleeping rooms of hospitals, hotels, motels, dormitories, and other multifamily dwellings as defined in standard NFPA 101. Model PR700A has been fully tested and complies with, ULC S531, NFPA 72, and NFPA 101 and other agencies that model their codes after the above agencies. It meets building codes where battery operated smoke alarms with silence are required and with model building codes published by the ICC.

First Alert PR700A is a state of the art smoke alarm designed to provide early warning of a fire. It features a fully insect screened Photoelectric smoke sensing chamber, an 85dB horn, a supervised 9V battery power supply, a full function test switch, a silence feature to silence unwanted nuisance alarms, a red LED light that indicates DC power or alarm. It also features a tamper resistant locking pin that locks alarm to the mounting bracket to prevent removal of battery or alarm. Perfect for apartment, dormitory or hotel applications. The sleek, low profile design complements any décor. Designed for wall or ceiling mounting. Includes mounting anchors and screws.





TECHNICAL SPECS

Alarm Dimensions:	5.2" Dia. x 1.13" H
Weight:	6.0 oz
Operating Voltage:	9V Battery Powered
Temperature Range:	40°F (4°C) to 100°F (38°C)
Humidity Range:	10% to 95% relative humidity (RH)
Audio Alarm:	85dB at 10 feet
Test/Silence:	Electronically simulates smoke condition, causing the unit to alarm. Press and hold test/silence button.
Alarm Reset:	Automatic when smoke clears
Smoke Sensor:	Photoelectric
Indicator Lights/Sounds:	
DC Power:	Intermittent Red LED
Local Alarm:	Audio alarm and rapidly flashing Red LED
End of Life:	Horn sounds 5 chirps; pattern repeats once/minute
Listing:	Certified to ULC STD S531

ARCHITECTURAL AND ENGINEERING SPECS

The smoke alarm shall be a First Alert Model PR700A (Cat. 1039769) and shall provide at a minimum the following features and functions:

1. A photoelectric smoke sensing chamber.
2. The unit shall be capable of self restoring.
3. A fully screened sensing chamber to resist entry of small insects thereby reducing the probability of unwanted alarms.
4. Powered by a replaceable 9V battery and a solid state piezo horn rated at 85dB at 10 ft.
5. A visual LED power-on indicator to confirm unit is receiving power or is in alarm.
6. A full function test button. The test button should check all alarm functions by stimulating the chamber to simulate a smoke condition, causing the unit to alarm.
7. Silence feature - Temporarily silence unwanted nuisance alarms.
8. A tamper resistant locking pin that locks alarm to the mounting bracket to prevent removal of battery.
9. The unit shall be capable of operating between 40°F (4°C) and 100°F (38°C) and relative humidity between 10% and 90%.
10. The unit shall contain mounting hardware and shall be listed for wall or ceiling mounting.
11. The unit shall at a minimum meet the requirements of ULC S531, NFPA 72, NFPA 101, and ICC.
12. The unit shall have an "End of Life" signal.

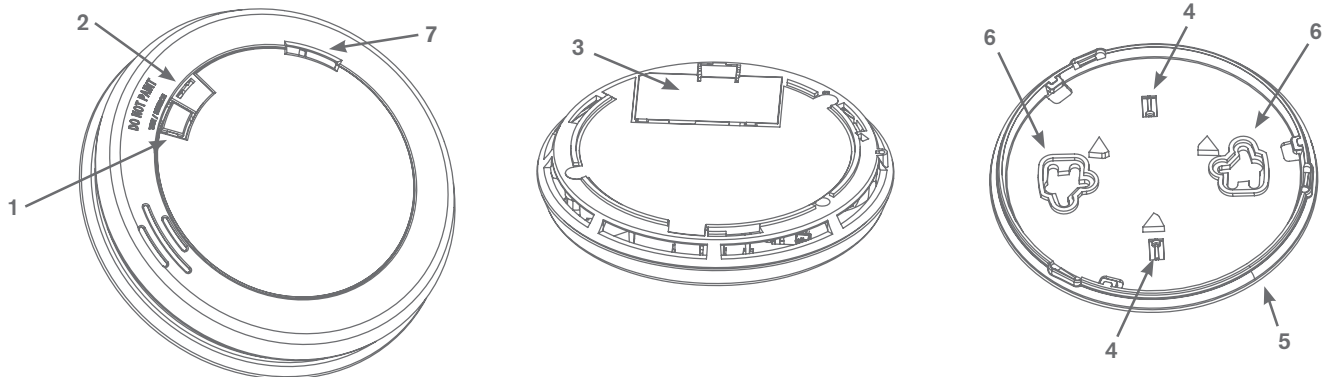
SHIPPING SPECS

Individual Carton Dimensions	6.8" L x 2.6" W x 8.5" H
Weight:	0.5 lbs.
Cube:	0.1 ft ³
UPC:	0 29054 01856 4
Master Carton Dimensions	7.3" L x 14.7" W x 9.0" H
Master Pack:	6
Weight:	3.92 lbs.
Cube:	0.6 ft ³
I2of5:	300 29054 01856 5
Pallet Information	
Cases per Layer:	15
Number of Layers:	5
Cases per Pallet:	75
Units per Pallet:	450
Cube:	55.6 ft ³
Weight:	324 lbs.

INSTALLATION OF ALARM

Installation of this smoke alarm must conform to NFPA 72. Always check your local building codes. Follow all instructions for placement as outlined in the user's manual in sections titled "Recommended Locations for Smoke Alarms" and "Locations to Avoid for Smoke Alarms."

THE PARTS OF THIS ALARM



- | | |
|-------------------------------------|---------------------|
| 1. Test/Silence button | 5. Mounting bracket |
| 2. LED alarm light | 6. Mounting Slots |
| 3. Install 9V battery here | 7. Horn |
| 4. Locking tab slot (Break out Tab) | |